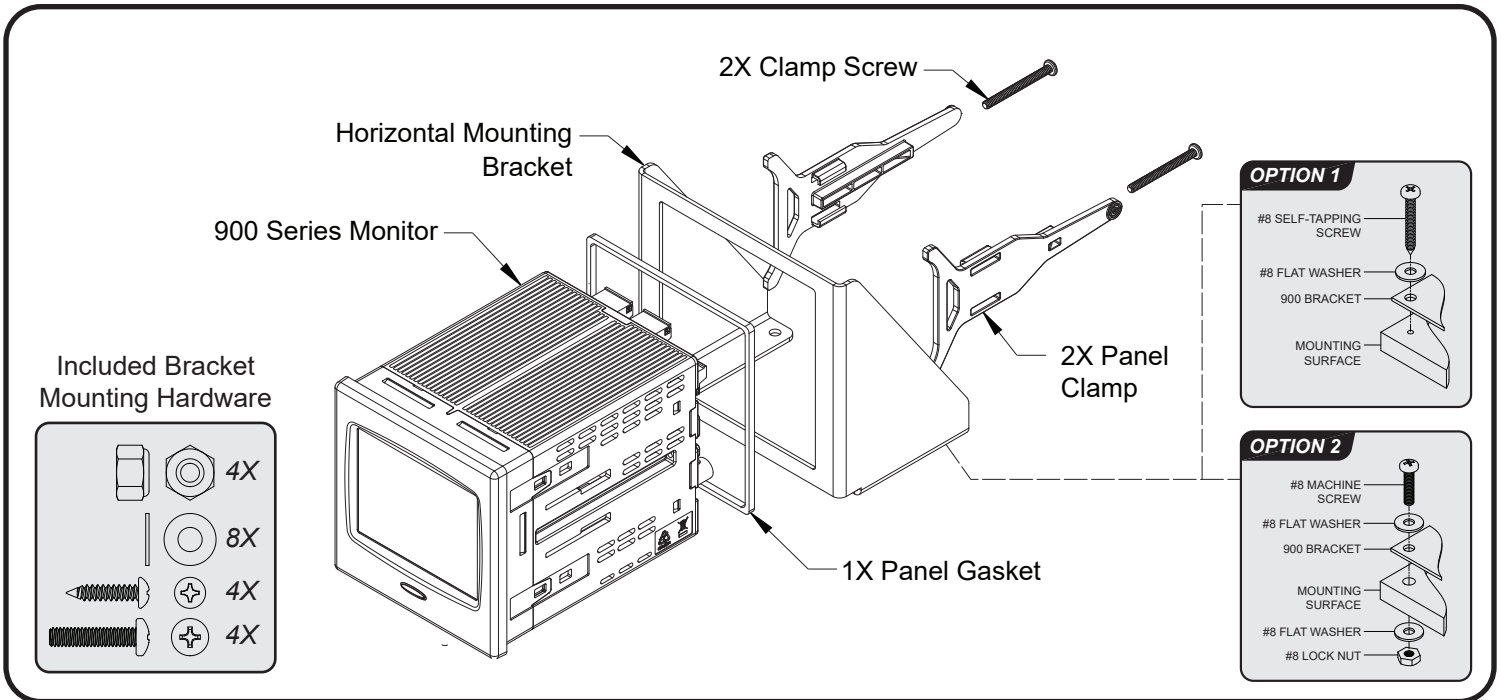


# 900 SERIES MOUNTING BRACKET INSTALLATION INSTRUCTIONS

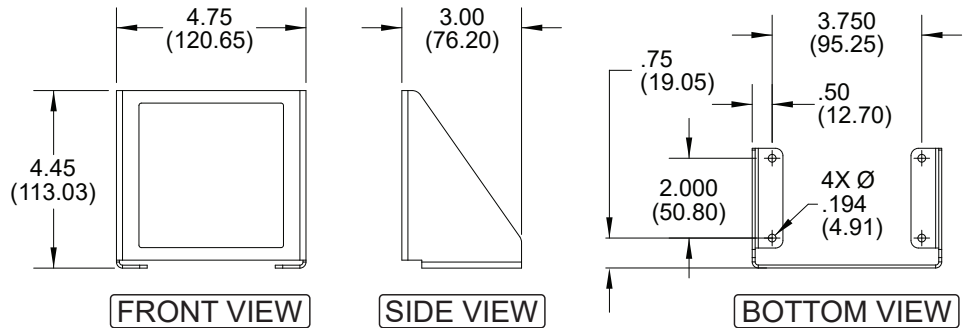
## 9MBHXX - 900 Series Mounting Bracket Horizontal Mount



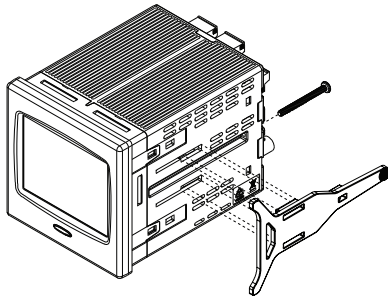
**1** Pre-drill holes using bracket as a template, or provided dimensions.

**2** Mounting holes may be enlarged to customer's desired size.

**3** Install bracket to mounting surface prior to installation of 900 Monitor.



**NOT TO SCALE  
DIMENSIONS IN INCHES  
(MILLIMETERS)**



- 4** Ensure that panel gasket is pre-installed behind bezel.
- 5** Slide unit into bracket or panel.
- 6** Install clamps into guides and slide forward.
- 7** Install and rotate screws until clamp makes contact with panel.

**8** Continue tightening screws until gasket is evenly compressed to 50% of its original thickness.

